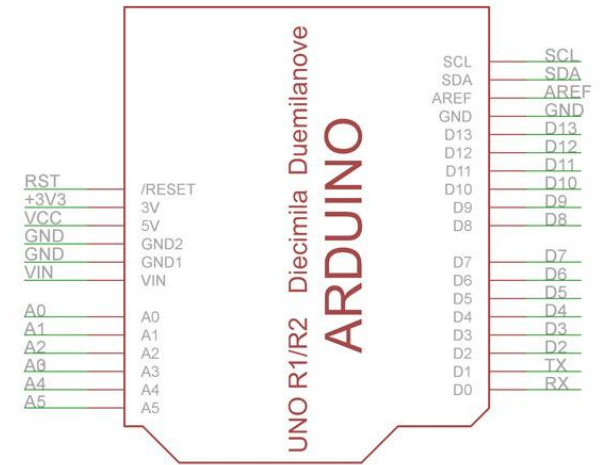
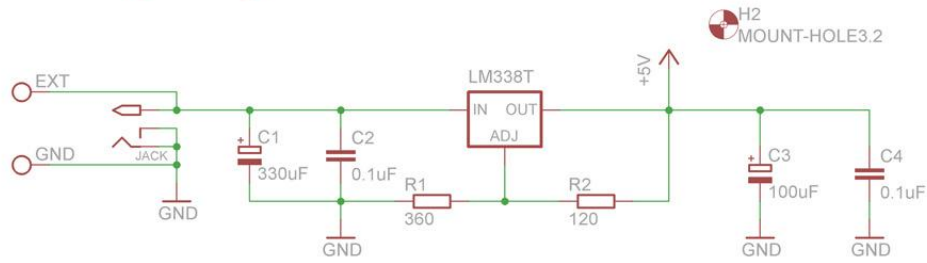
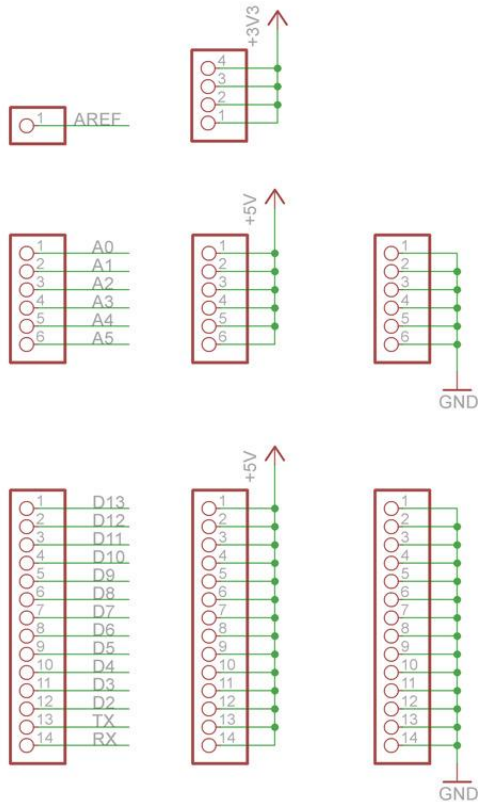
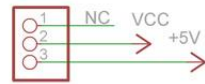


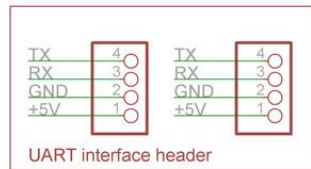
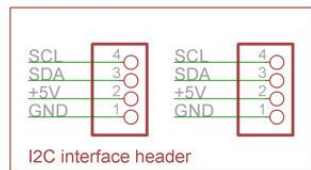
# Voltage regulator



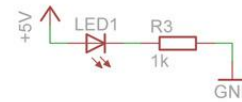
# Power select jumper



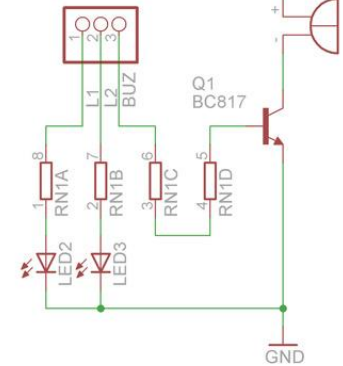
# Sensor Shield



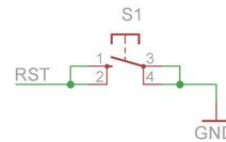
# Power led



# Custom functionality



# Reset button



TITLE: Z-Power\_Sensor\_Shield

Document Number:

REV:1

Date: 03.02.2016 13:18:14

Sheet: 1/1