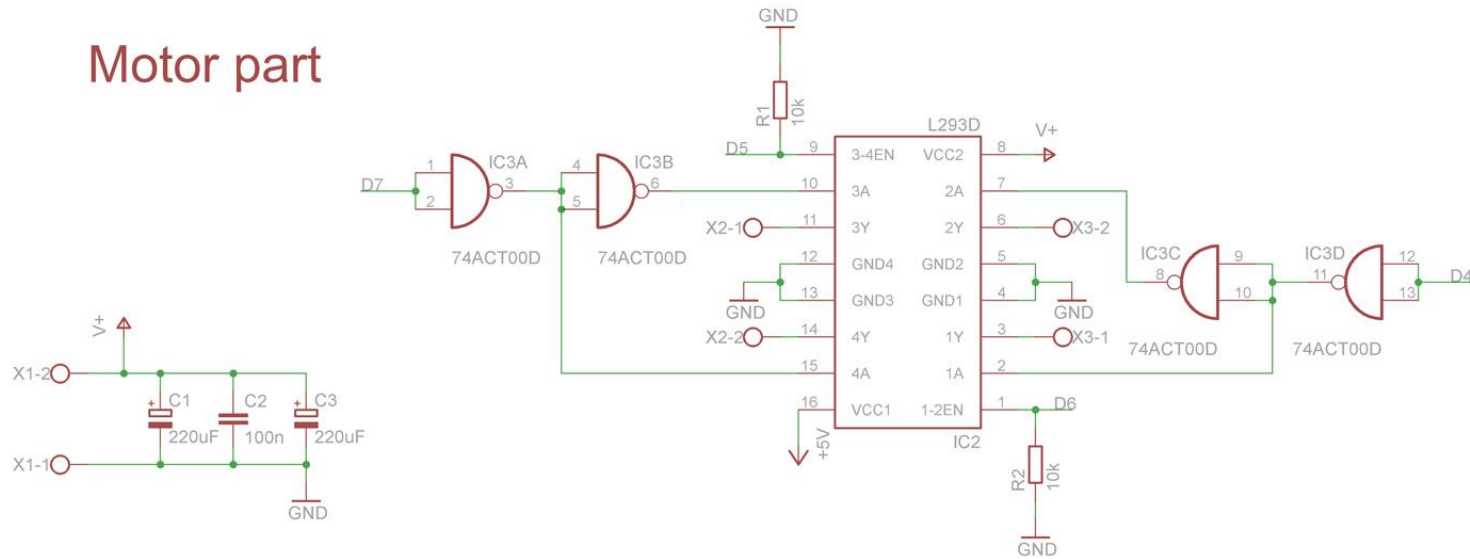
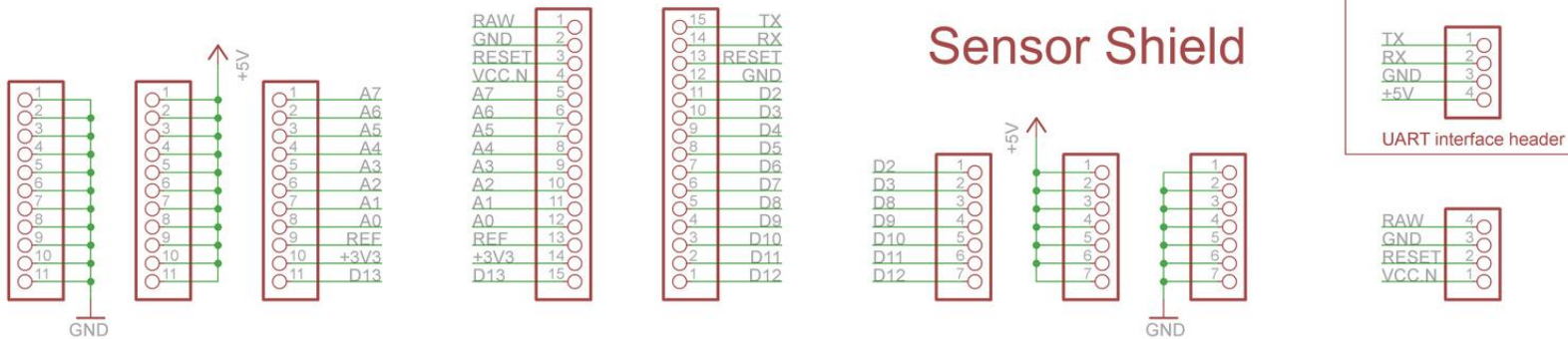


Motor part



Sensor Shield



Power select jumper



TITLE: Z-Mini Mot Sen Sh (L293D)

Document Number:

REV:1

Date: 16.10.2015 18:54:18

Sheet: 1/1